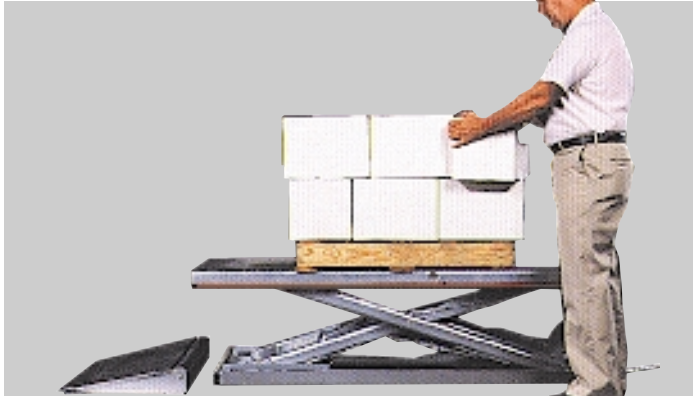


# LOW PROFILE LIFTS

## For Easy Loading and Unloading With Hand Trucks

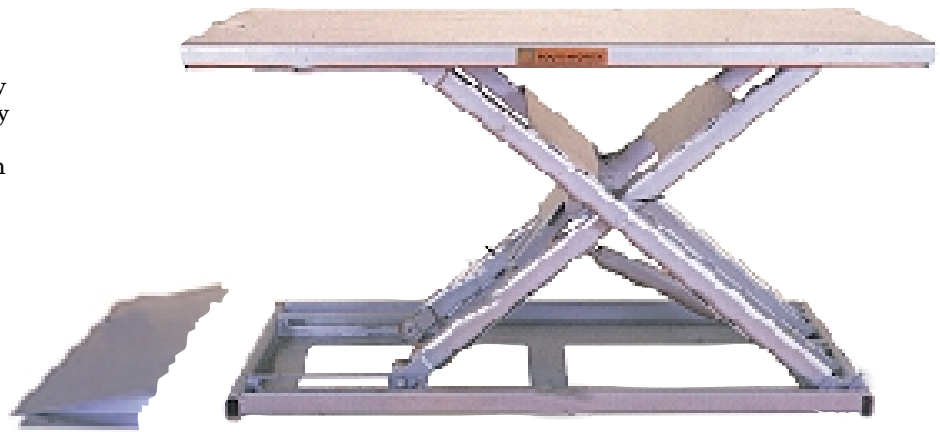


For lifting, positioning, and pallet loading and unloading applications where loads are transported by hand trucks, Southworth offers a variety of lifting equipment with low or near zero collapsed height. The low collapsed height makes it easy for operators to roll all types of hand trucks including pallet jacks, four-wheel carts, two-wheel trucks and dollies, on and off while loaded without undue exertion or wasted floor space for extended ramps.



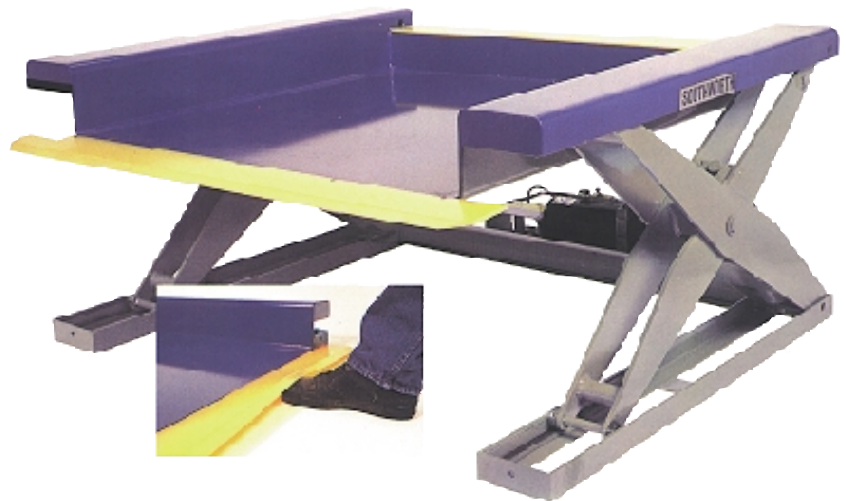
# SUPER FLAT LIFTMAT™ LIFT TABLE

This powerful precision lift table has a lowered height of only 3" to 4" (depending on load capacity). This low height allows hand trucks to be rolled on using a gentle grade ramp. The table may be raised to any height up to 36". An electromechanical safety toeguard stops descent if obstruction is encountered. Tabletop has standard smooth finish. Diamond tread is optional. Low-clearance ramp with rollers is optional. Portable models are available.



## FLOOR HEIGHT LIFT TABLES

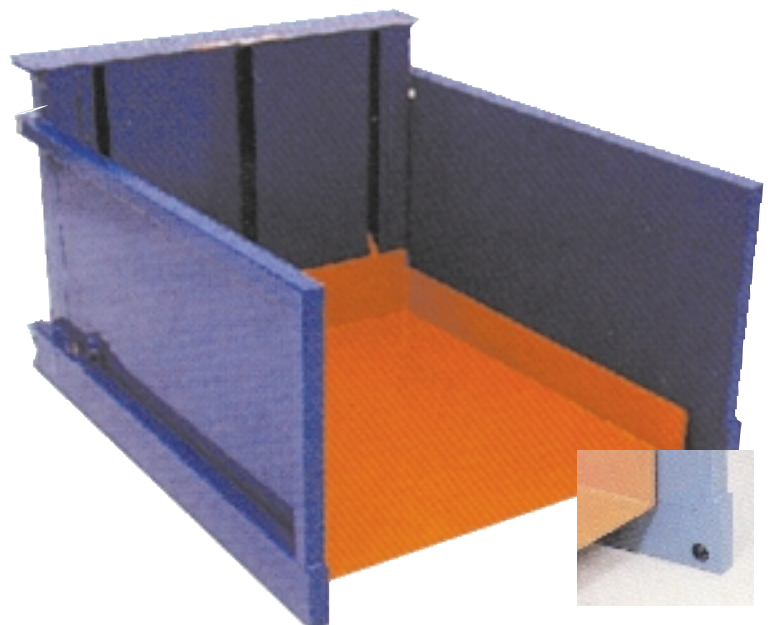
Powerful scissors lift table with capacities to 6000 lbs lowers to floor height so that hand trucks may be easily rolled on and off. Elastomeric front edge yields when proper protective footwear is worn to prevent toe injury.

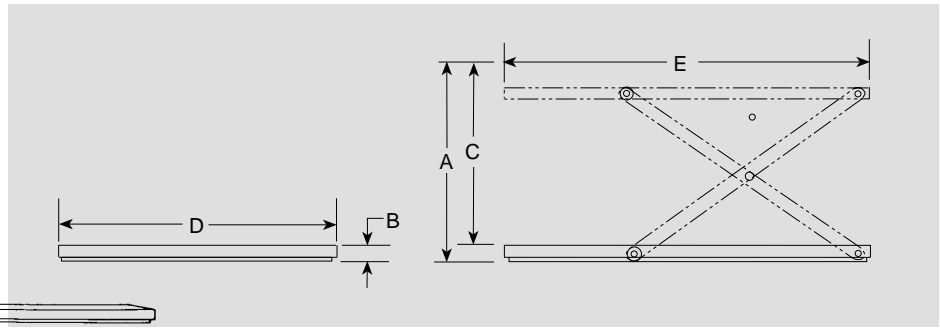


## ROLL-ON™ LEVEL LOADER

Minimum Reach Over for Fast, Safe Pallet Loading  
Roll Load On and Off with a Hand Pallet Truck

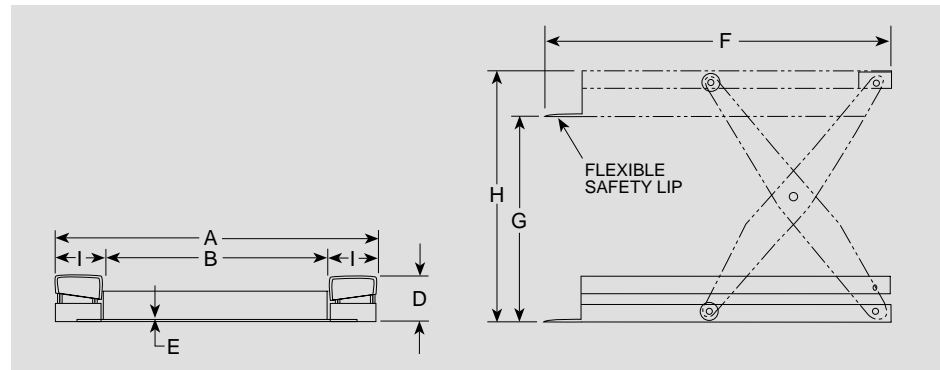
The Roll-On™ Level Loader lowers to floor height so pallets can be rolled on with a hand pallet truck. Then, using an easily accessed foot switch, the operator can adjust the height of the pallet to allow loading or unloading at the most convenient working height with a minimum of lifting or reaching. Narrow side panels provide operator protection and improved appearance with minimum reach over. The Roll-On Level Loader can easily be moved from place to place with a hand pallet jack. Mounted turntables are available.



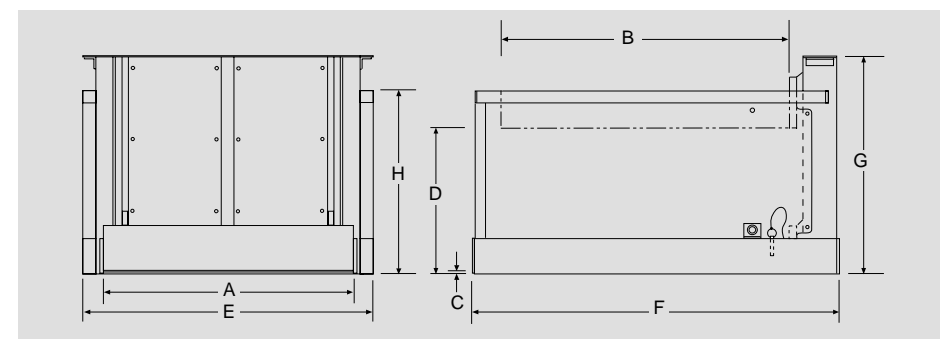


MODEL	CAPACITY	A RAISED HEIGHT	B LOW HEIGHT	C VERTICAL TRAVEL	D PLATFORM† WIDTH	E PLATFORM† LENGTH	RAMP WIDTH	RAMP LENGTH	ELEVATING TIME	VOLTAGE PHASE/Hz*	MOTOR DEVELOPED HORSEPOWER	APPROX. SHIPPING WT W/STD PLATFORM
LM05	500 lbs	36"	3"	33"	24-48"	66-96"	24-48"	18-48"	15 sec.	115/1/60	1	540 lbs
LM1	1000 lbs	36"	3"	33"	24-48"	66-96"	24-48"	18-48"	15 sec.	115/1/60	1	560 lbs
LM2	2000 lbs	36"	3½"	32½"	24-48"	66-96"	24-48"	20-48"	20 sec.	115/1/60	1	600 lbs
LM4	4000 lbs	36"	4"	32"	24-48"	66-96"	24-48"	22-48"	25 sec.	115/1/60	1	650 lbs

\* Optional 208/3/60, 240/3/60, 480/3/60, 575/3/60. Line starter/transformer required.  
 † Available from minimum to maximum width and length in 6" increments.



MODEL	CAPACITY	A OVERALL WIDTH	B INSIDE WIDTH	C PLATFORM LENGTH	D SIDE HEIGHT	E DECK THICKNESS	F OVERALL LENGTH	G VERTICAL TRAVEL	H MAXIMUM HEIGHT	I SIDE WIDTH	POWER	APPROX. SHIPPING WEIGHT	ELEVATING TIME
ZLS2-35	2000 lbs	49 - 67¼"	32-50"	48"	7¾"	¾"	59"	35"	42¾"	8¼"	115/1/60	1425 lbs	45 sec.
ZLS4-35	4000 lbs	49 - 67¼"	32-50"	48"	7¾"	¾"	59"	35"	42¾"	8¼"	115/1/60	1440 lbs	48 sec.
ZLS6-34	6000 lbs	53 - 71¼"	32-50"	48"	8¾"	½"	59"	34"	42¾"	10¾"	115/1/60	1865 lbs	65 sec.

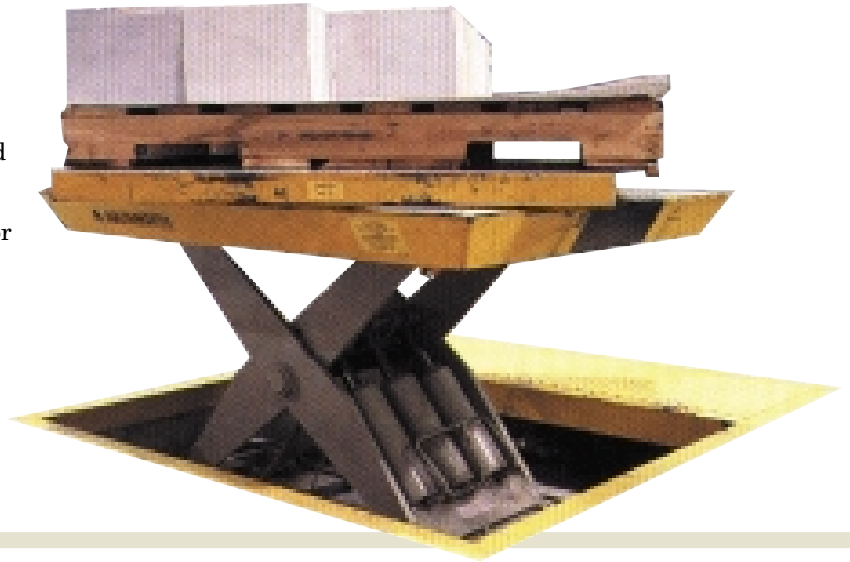
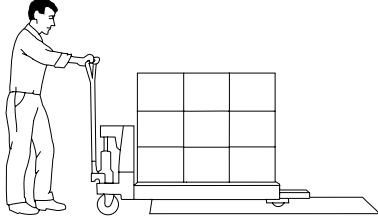


MODEL	CAPACITY	PLATFORM SIZE WIDTH A	LENGTH B	PLATFORM HEIGHT LOWERED C	RAISED D	OVERALL SIZE WIDTH E	LENGTH* F	HEIGHT G	SIDE PANEL HEIGHT H	POWER	APPROX. SHIPPING WEIGHT
ROLLC2-24	2000 lbs	40" 44" 52"	48"	¾"	24¾"	A+6¾"	61"	36"	29½"	115/1/60	1250 lbs
ROLLC2-28	2000 lbs	40" 44" 52"	48"	¾"	28¾"	A+6¾"	61"	39¼"	29½"	115/1/60	1350 lbs
ROLLC4-28	4000 lbs	40" 44" 52"	48"	¾"	28¾"	A+6¾"	62¾"	39¼"	29½"	115/1/60	1500 lbs

Units are furnished with footswitch control. Shipped with bolt-on lags.  
 \* Overall length without lags.

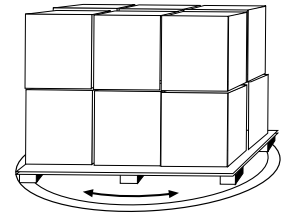
# PIT MOUNTED LIFT TABLES

Southworth lift tables are available in all standard capacities and platform sizes for flush with floor pit installation. Pit mounted lift tables have many advantages including access by any type of truck or transporter, clear rollover when lowered, and four side access.



# PALLETPAL™ DISC TURNTABLE

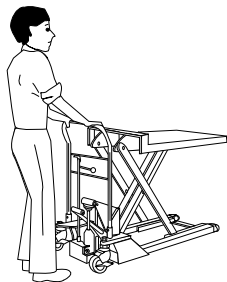
Where near side access to loads is desirable, PalletPal™ Disc Turntables rotate through a full 360°. Because of their extremely low height (less than 1") they can be used with all types of hand trucks.



# LOW PROFILE DANDY LIFT

3¼" Lower Height For Handling Skids, Containers, and Plastic Pallets

Available in two models — solid platform style for use with skids and containers, and fork style for use with plastic pallets. These manually operated lifters/transporters have infinite height adjustment within their range and steerable caster-type wheels.



Southworth Products Corp.  
 P.O. Box 1380, Portland, ME 04104-1380  
 TEL: (800) 743-1000 FAX: (207) 797-4734  
[www.southworthproducts.com](http://www.southworthproducts.com)  
 email: [salesinfo@southworthproducts.com](mailto:salesinfo@southworthproducts.com)