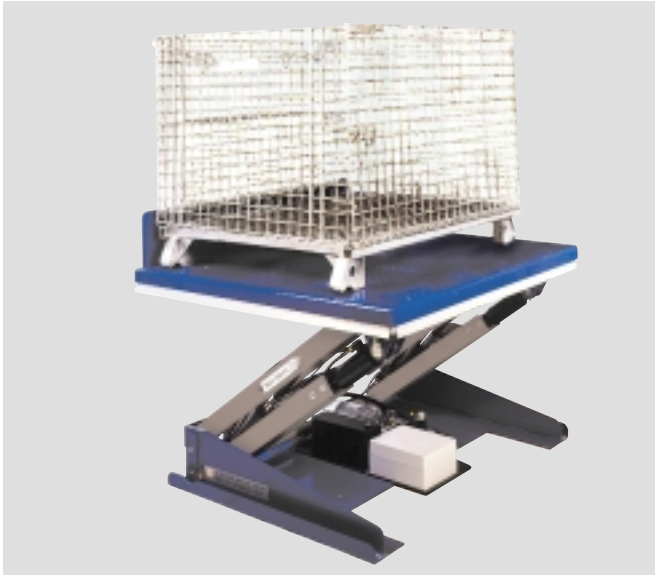


Z-Lift Tilters™

by **SOUTHWORTH**



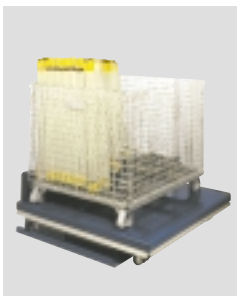
Position Wire Baskets and Containers at the Most Comfortable Working Height and Angle

Z-Lift Tilters™ are the ideal choice for almost any application that involves working with parts in containers. Lift and tilt are achieved with a single mechanism making Z-Lift Tilters an economical alternative to conventional lift and tilt tables which require separate lift and tilt mechanisms. Because Z-Lift Tilters tilt down instead of up like most tilters they are especially well suited for use with oversized baskets and containers.



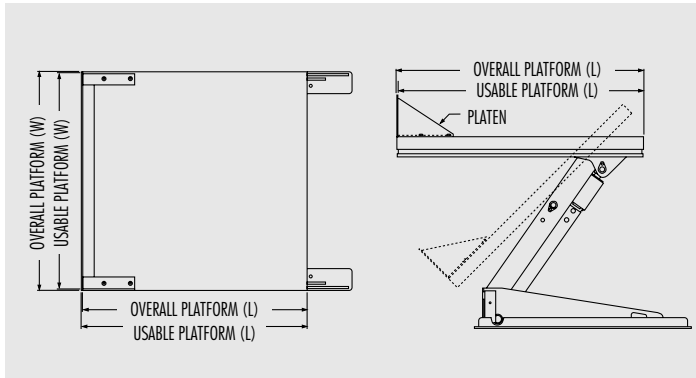
- **Independent Control of Platform Height and Angle**
- **Two Configurations for Loading with Fork Lifts or Hand Pallet Trucks**
- **Capacities to 6000 Lbs.**
- **Tilt Angles from +5° to -45°**
- **Auto-Stop Toe Sensor**
- **Unique Action Brings Container Closer to the Operator**
- **High Quality Powder Coat Finish**

Improve Productivity and Reduce Worker Fatigue or Injury by Eliminating Reaching, Bending and Stretching



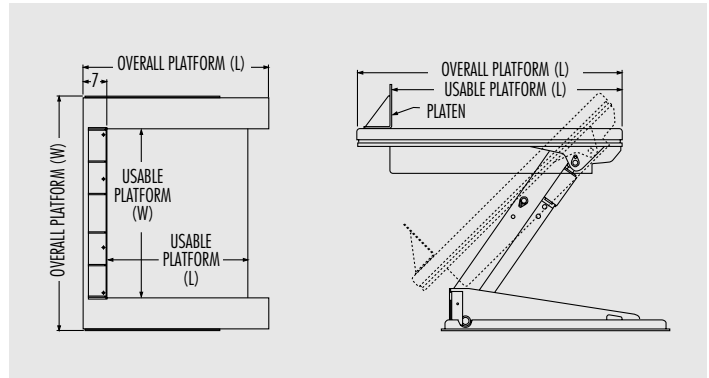
Reaching deep into containers and lifting out parts is time consuming and poses a risk for back injury. With Z-Lift Tilters working with parts in containers has never been easier, safer, or more productive. Simply load the basket onto the Z-Lift Tilters, raise it to the desired height, then tilt it to a comfortable working angle. As the level in the basket changes you can change the height, the angle or both to maintain a comfortable posture.

STANDARD PLATFORM



*Usable platform with platen bolted in place.

PAN STYLE PLATFORM - Hand Pallet Truck Accessible



*On PAN style units the platen bolts onto the edge of the pan, not in the pan.

STANDARD PLATFORM

MODEL NO.	CAPACITY	USABLE PLATFORM* W x L	OVERALL DIM. W x L	LOW HEIGHT	VERTICAL TRAVEL	ANGULAR TRAVEL	RAISED HEIGHT	VOLTAGE PHASE/HERTZ	HORSEPOWER	SHIPPING WEIGHT
ZLT - 3	3000 lbs.	50" x 52"	52" x 52"	9 1/2"	32"	+5° to -45°	41 1/2"	115/1/60	1 1/2	825 lbs
ZLT - 3W	3000 lbs.	56" x 52"	56" x 52"	9 1/2"	32"	+5° to -45°	41 1/2"	115/1/60	1 1/2	850 lbs
ZLT - 4	4000 lbs.	50" x 54"	50" x 54"	9 1/2"	32"	+5° to -45°	41 1/2"	115/1/60	1 1/2	1160 lbs
ZLT - 4W	4000 lbs.	56" x 54"	56" x 54"	9 1/2"	32"	+5° to -45°	41 1/2"	115/1/60	1 1/2	1200 lbs
ZLT - 6	6000 lbs.	50" x 54"	50" x 54"	9 1/2"	32"	+5° to -45°	41 1/2"	115/1/60	1 1/2	1175 lbs
ZLT - 6W	6000 lbs.	56" x 54"	56" x 54"	9 1/2"	32"	+5° to -45°	41 1/2"	115/1/60	1 1/2	1225 lbs

PAN STYLE PLATFORM - Hand Pallet Truck Accessible

ZLT-3 PAN	3000 lbs.	50" x 41"	69" x 55"	1 1/4"	32"	+5° to -45°	32 1/2"	115/1/60	1 1/2	900 lbs
ZLT-3W PAN	3000 lbs.	56" x 41"	76" x 55"	1 1/4"	32"	+5° to -45°	32 1/2"	115/1/60	1 1/2	935 lbs
ZLT-4 PAN	4000 lbs.	50" x 42"	72" x 55"	3/8"	32"	+5° to -45°	32 3/8"	115/1/60	1 1/2	1300 lbs
ZLT-4W PAN	4000 lbs.	56" x 42"	78" x 55"	3/8"	32"	+5° to -45°	32 3/8"	115/1/60	1 1/2	1350 lbs
ZLT-6 PAN	6000 lbs.	50" x 42"	72" x 55"	3/8"	32"	+5° to -45°	32 3/8"	115/1/60	1 1/2	1325 lbs
ZLT-6W PAN	6000 lbs.	56" x 42"	78" x 55"	3/8"	32"	+5° to -45°	32 3/8"	115/1/60	1 1/2	1375 lbs

Units are furnished with either 4-button hand control or dual foot switches on 10' of cord. 230/460/3/60 is available as an option. Depth of platform on PAN style units is 9".



Auto-Stop Toe Sensor

All Z-Lift Tilters come equipped with an Auto-Stop Toe Sensor. If at any time when the table is being lowered it comes in contact with an obstruction the safety switch automatically stops the table.

Bolt-On Platens

Z-Lift Tilters come complete with bolt-on platens in the styles shown above. Standard platen heights are 9", 12", and 18".

Hydraulic Power Units (HPU)

On standard platform models the HPU can be internal or external. On PAN style platforms the HPU must be external.

Other Lift and Tilt Products



E-Z Reach Tilters



Southworth Products Corp.
P.O. Box 1380, Portland, ME 04104-1380
TEL: (800) 743-1000 FAX: (207) 797-4734
www.SouthworthProducts.com
email: Salesinfo@SouthworthProducts.com